

CARACTERISTICAS

- Fácil montaje
- Versión estándar
- Para fusibles de cuchilla DIN 80 y DIN 110

HIGHLIGHTS

- Easy mounting
- Standard version
- For blade-type fuses DIN 80 and DIN 110



Imagen no contractual / non-contractual image

DESCRIPCIÓN GENERAL / OVERVIEW

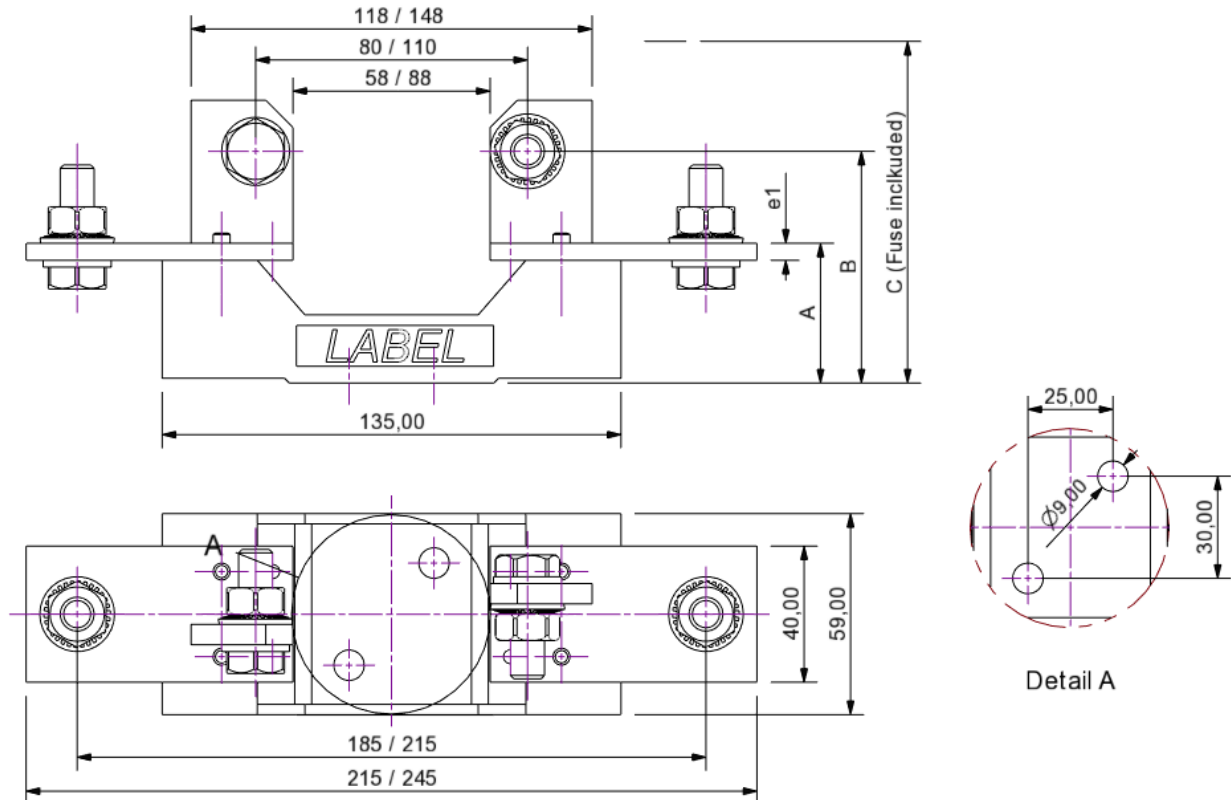
Base de montaje para fusible estándar alemán de cuchilla DIN 80 y DIN 110, 630A y 1250A para todas las tallas.

Mounting base for German standard blade fuse DIN 80 and DIN 110, 630A and 1250A for all sizes.

CARACTERÍSTICAS / CHARACTERISTICS

Aplicación / Application	Tipo cuchilla DIN80 y DIN110 / Blade type DIN80 and DIN 110
Tensión de aislamiento / Insulation voltage	1500V _{AC} 50/60Hz y DC / 1500V _{AC} 50/60Hz & DC
Calificación de corriente / Rating current	2500A
Potencia máxima / Maximum power	630A: 95W;1250A: 110W
Clase fuego y humos / Fire and Fumes class	UL 94 V0
Conexiones / Connections	Tornillos M10x30 clase 8.8 / Screws M10x30 8.8 class
Fijación de la base / Fixing of base	Tornillos M8 (no suministrados) / M8 screws (not supplied)
Par de apriete máximo / Maximum tightening torque	M10: 40±8 Nm ; M8:10±2 Nm
Peso / Weight	SC-SI DINxxx 630: 709 g - SC-SI DINxxx 1250: 975 g

DIMENSIONS



	A	e1	B	C	Talla / Size
SC-SI DIN 80 630	40	5	68	93,5	30 / 70*
SC-SI DIN 110 630				99,0	31 / 71*
				103,5	32 / 72*
				110,3	33 / 73*
SC-SI DIN 80 1250	45	10	73	98,5	30 / 70*
SC-SI DIN 110 1250				104,0	31 / 71*
				108,5	32 / 72*
				115,3	33 / 73*

* Solo en DIN 110 / Only on DIN 110

Todas las dimensiones en mm. / All dimensions in mm.

Cost Effective Products

SEMICODE ELECTRONICA

Offers to the market a comprehensive range of products from recognized manufacturers at the best price/quality ratio, this products are provided with a basic reference code that allows maintaining the same product reference even if the original device manufacturer is replaced. SEMICODE product reference has to be considered as a generic brand.

Seeking the market needs and trends, we are constantly increasing the product portfolio with new products and suppliers, please ask for the updated information available to our local contacts.

SEMICODE products include semiconductors, passive components and accessories focused in power electronics market.

Datasheet Annotations:

SEMICODE ELECTRONICA annotate datasheets in the top left hard corner of the front page, to indicate product status. The annotations are as follows:

Tentative information: This is the most tentative form of information and represents a very preliminary specification. No actual design work on the product has been started.

Preliminary Information: The product is in design and development. The datasheet represents the product as it is understood but details may change.

Advance Information: The product design is complete and final characterisation for volume production is well in hand.

No Annotation: The product parameters are fixed and the product is available to datasheet specification.

NOTICE: The technical data are to specify components, not to guarantee their properties.No warranty or guarantee expressed or implied is made regarding delivery or performance. The Company reserves the right to alter without prior notice the specification of any product. Information concerning possible methods of use is provided as a guide only and does not constitute any guarantee that such methods of use will be satisfactory in a specific piece of equipment. It is the user's responsibility to fully determine the performance and suitability of any equipment using such information and to ensure that any publication or data used is up to date.

All brand names and product names used in this publication are trademarks, registered trademarks or trade names of their respective owners.

© SEMICODE ELECTRONICA. TECHNICAL DOCUMENTATION – NOT FOR RESALE